

1-651 L-Wing-Handle Pr20.1 L18

for cutout 20.1, length 18, for padlock

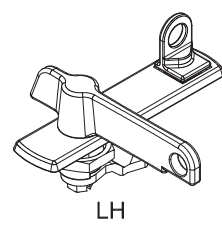
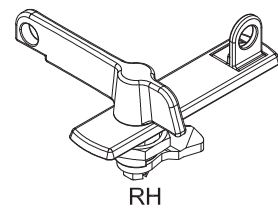
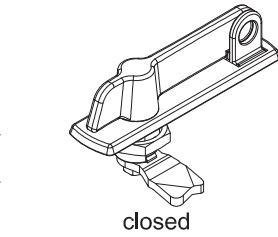
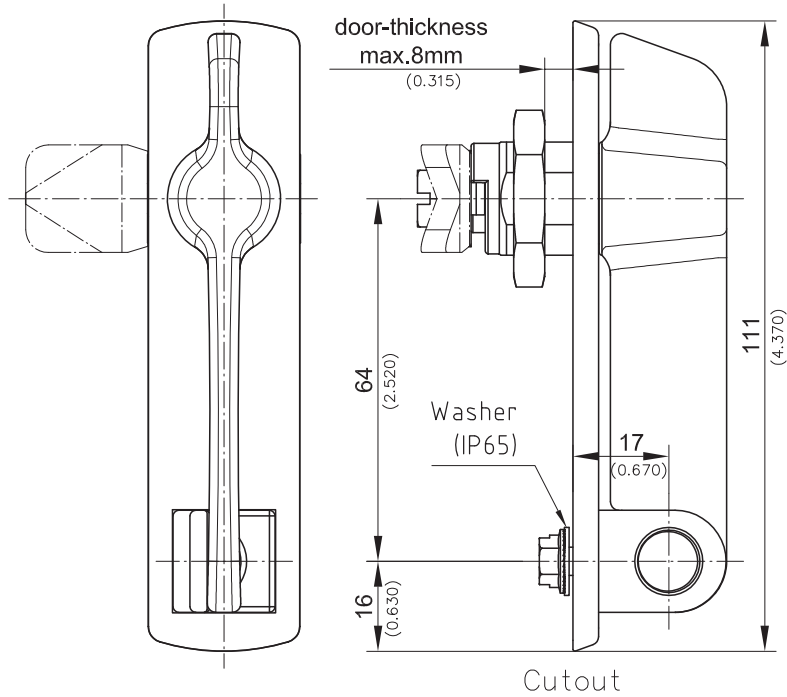
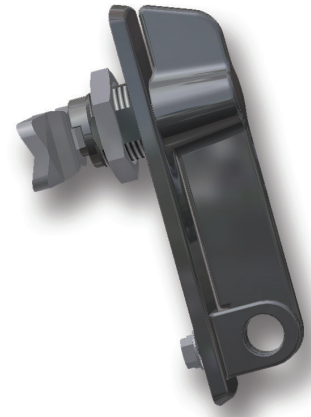


L-Wing-Handle for padlock.

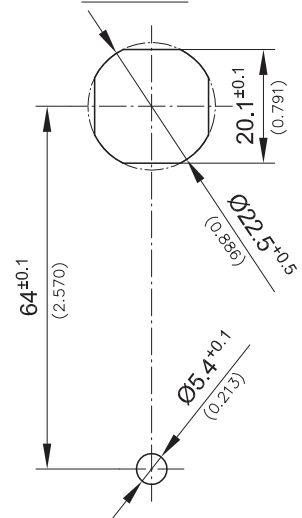
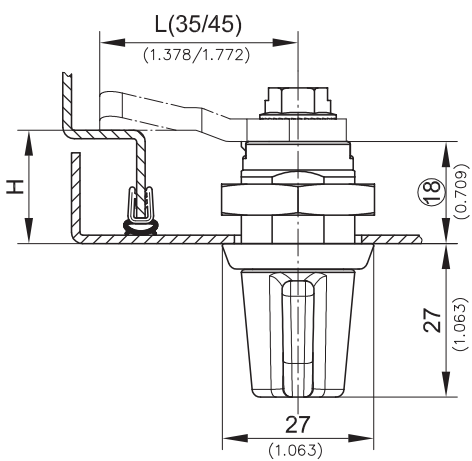
- For light applications.
- For the standard cutout and additional hole for the padlock eyelet.
- The 2-point fixing prevents tempering.
- RH and LH application.
- The eyelet for the padlock, also used as a stop, is asymmetric and can be turned for RH or LH doors (door closed).
- In closed position the wing handle is always fully vertical.

Material:

- **Housing, stop and handle:** zinc die, black
- **Nut and hex.screw:** steel
- **Internal wave washer:** steel, zinc plated



Example of application



	Part No.	see page
L-Wing-Handle	281-9101.00-00000	
Cam		02.78, 02.82
Optional:		
Water- and dust-tight according to IP65 DIN EN 60529 by:		
O-ring for insert	200-1001.00-00000	
Flat external seal	200-0904.00-00000	
Washer, PA natural	832-0125.00-00005	