



1-263.01 90° Redirect for Multi-Point Locking System



Advantages

- Using for optimal latching point.
- For Quarter-Turns with insert GL 18mm and swinghandles for round rods Ø8mm.
- RH and LH version.
- **Attention:** can only be used for **straight** cams.

Materials

- **Redirect:** zinc die, zinc plated
- **C-clip and setscrew:** steel, zinc plated

Remarks

1. Cam position
2. On the back side of the redirect cam position turned 90°
3. Assembly spacer on weld-stud M6x32
- c) Adapter for round rods (must be ordered by using round rods)
- d) H-dimension 18mm only for sheet thickness 2mm
- f) For the use of flat rods please contact us



Redirect for multi-point locking system

	Part Number	Version	Installation position	Packaging unit
a)	100-9613.00-00001	RH version	LH door top/RH door bottom	10 pcs.
b)	100-9613.00-00002	LH version	LH door bottom/RH door top	10 pcs.

Adapter for round rods

	Part Number	for round rod	Packaging unit
c)	200-9637.00-00000	Ø8	10 pcs.

***** Specific accessories

d) 200-2811.35-00000 **Spacer**

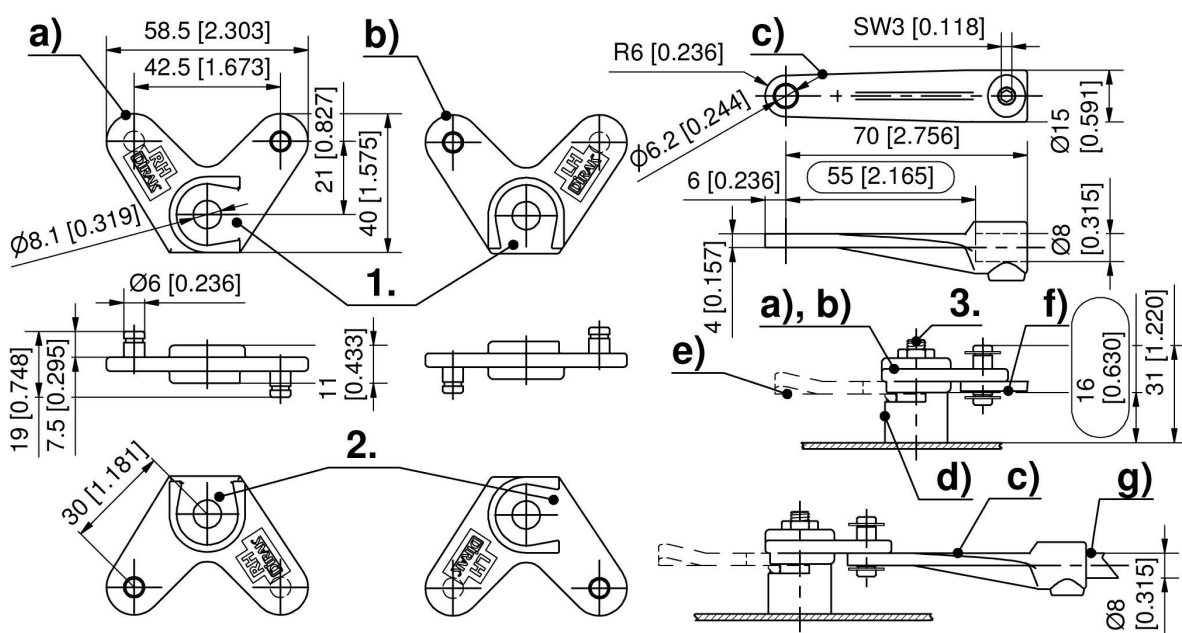
***** Accessories

g) 1-170 **Round Rods with Eye**

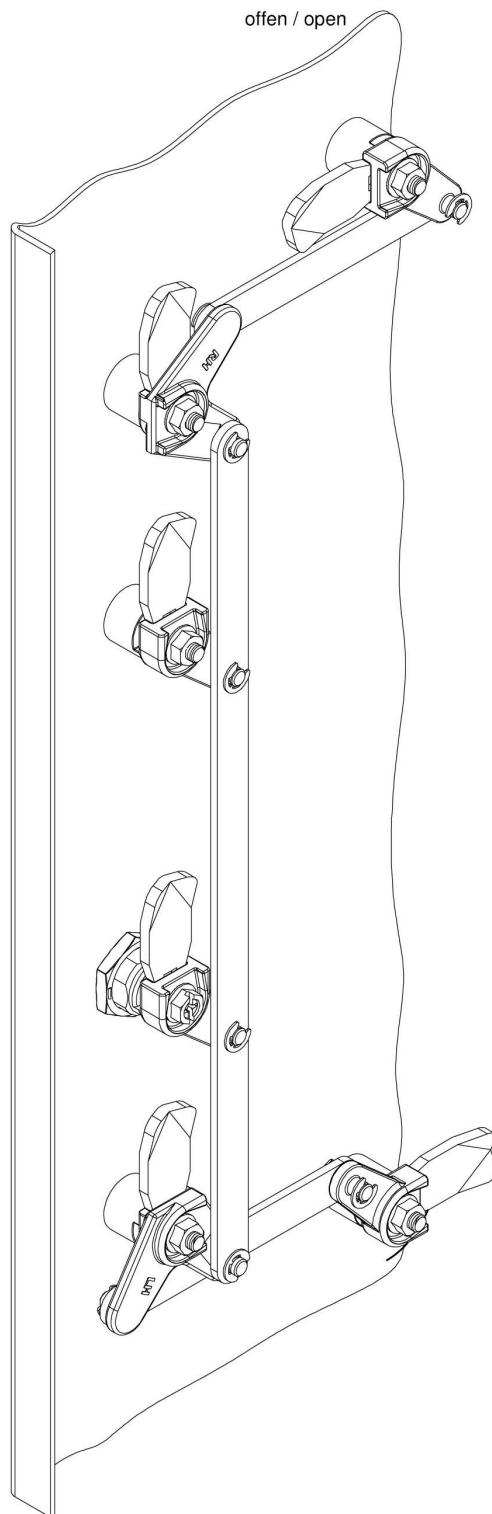
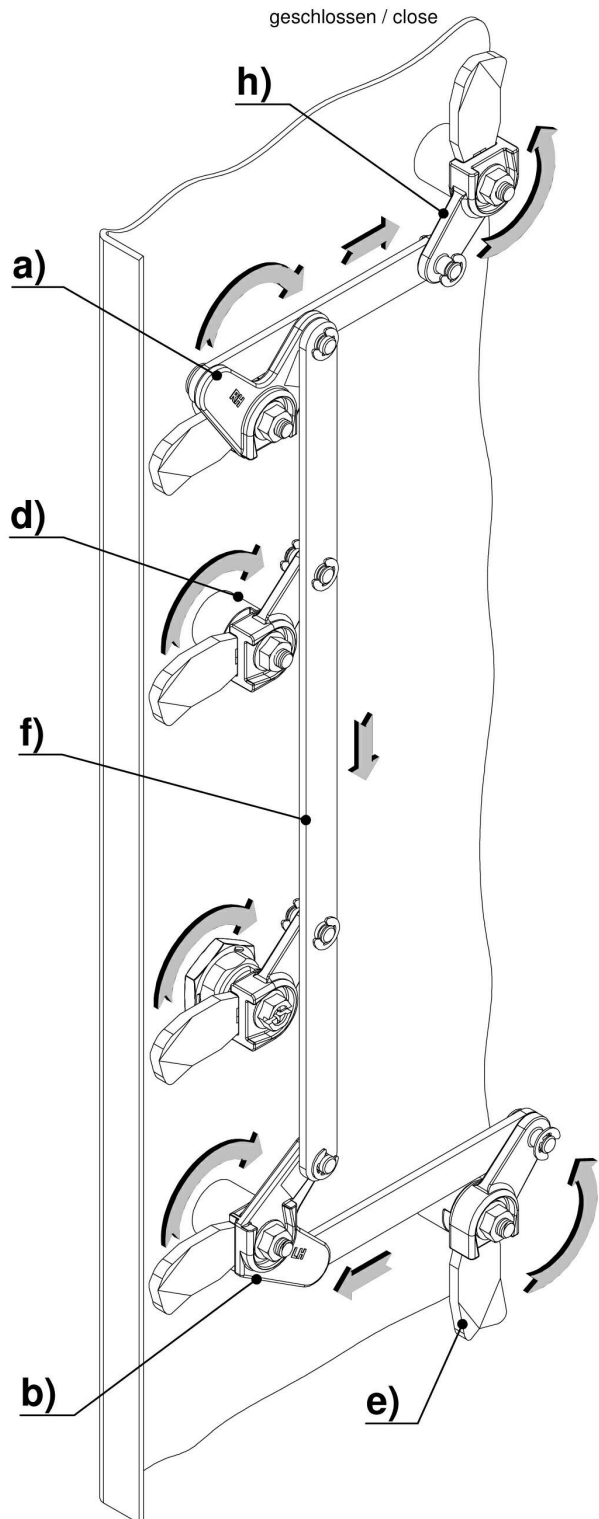
h) 100-9033.00-00000 **Cam adapter (incl. 2 c-clips)**

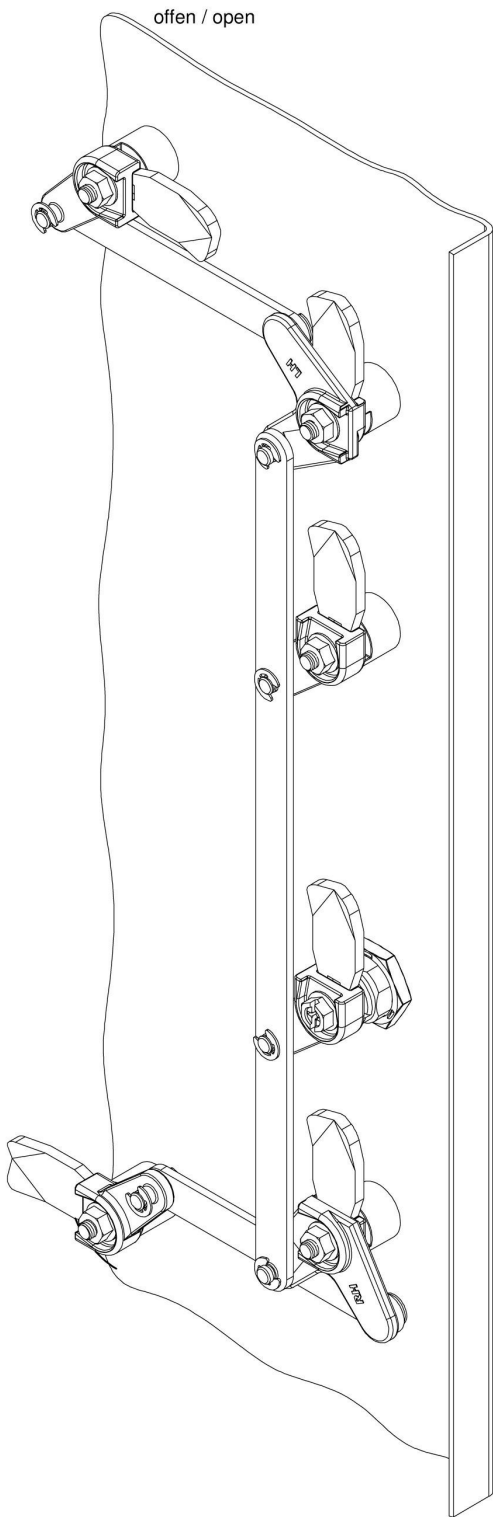
e) 200-4018.00-00000 **Cam with ramp**

200-0418.00-00000 **Cam**

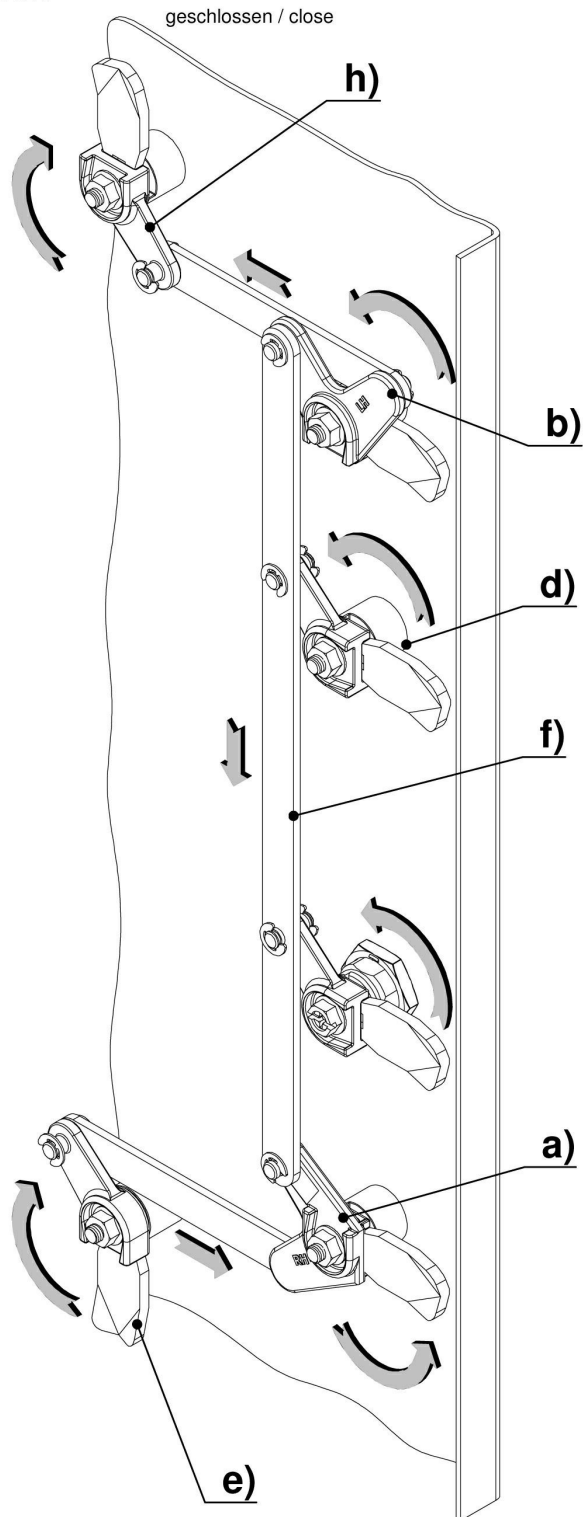


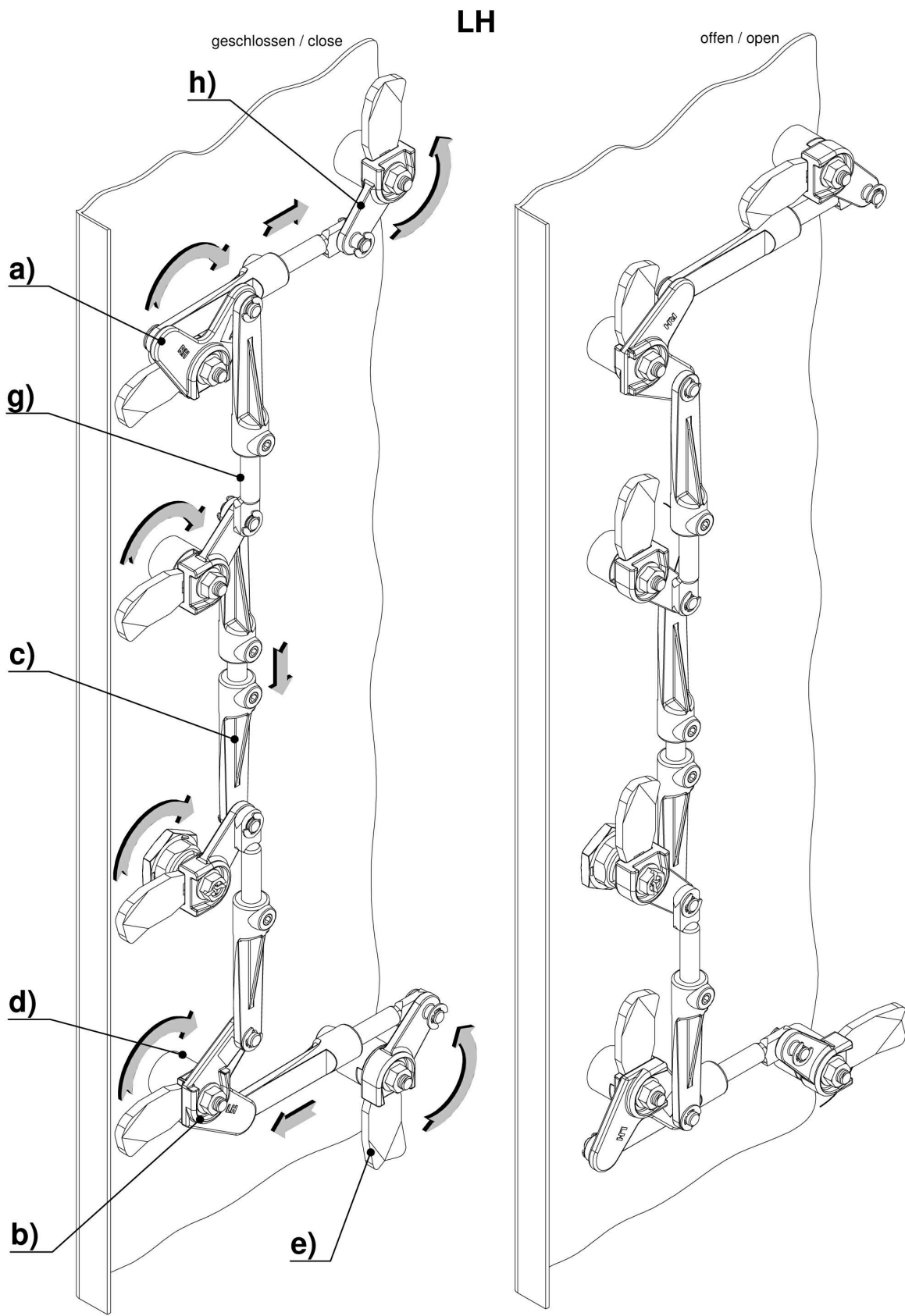
LH

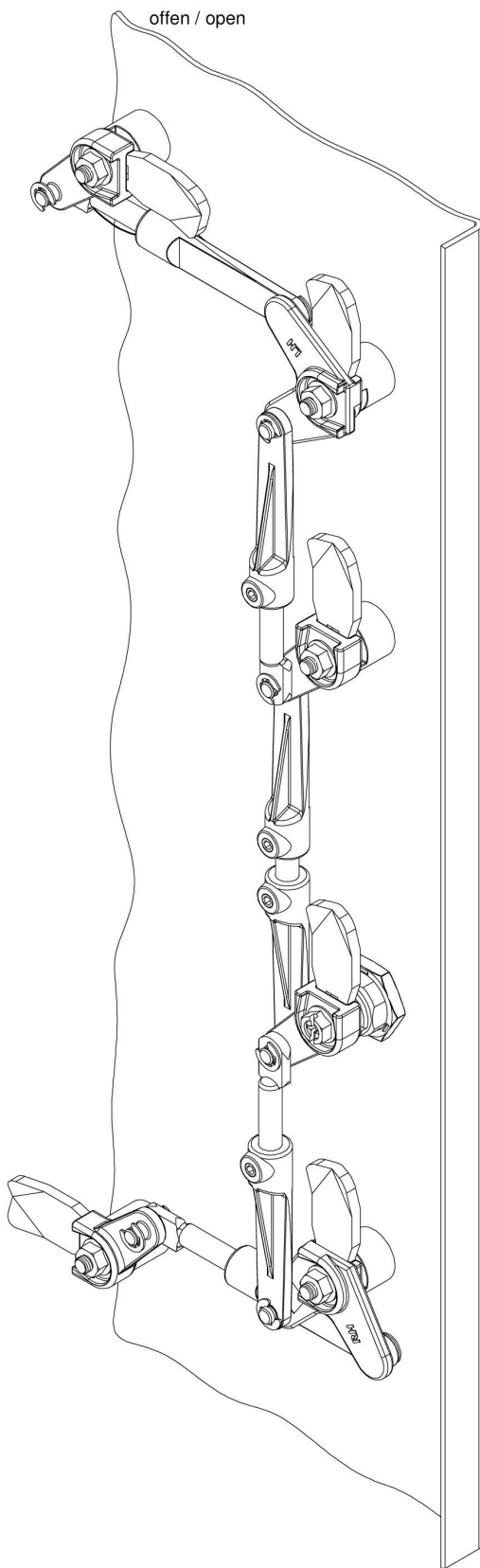




RH







RH

