

1-069SL Pull Latch Handle SNAP-LINE

19" technology, tool-less installation



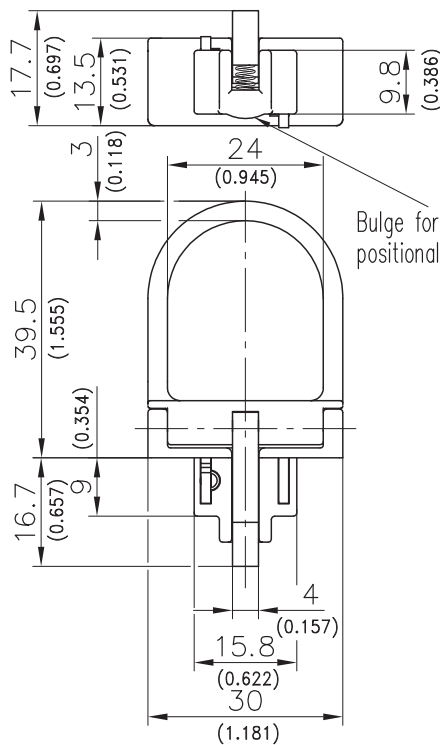
The pull latch handle is used by 19" engineering for locking insertions.

- The completely pre-assembled drawer latch handle is installed by a simple push into the appropriate cutout.
- RH and LH application.
- When inserting the plug-in unit the free running slam hook latches into the appropriate cutout and locks the plug-in unit with the frame.
- By tilting the handle, the hook is withdrawn from the cutout and the plug-in unit can be pulled out.

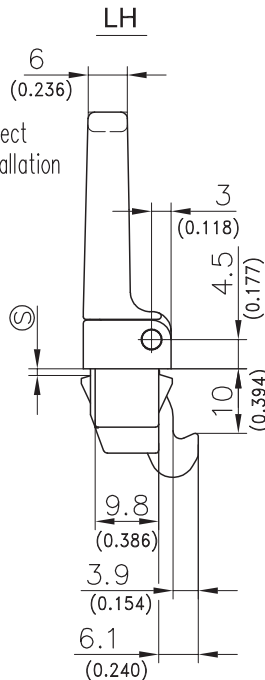
- **Attention: The bulge in the cutout is always opposite of the bolt. This cutout guarantees a unique and constant fitting.**

Material:

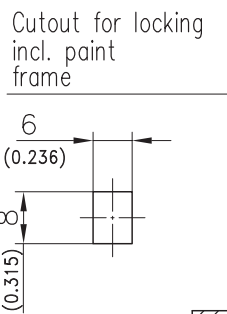
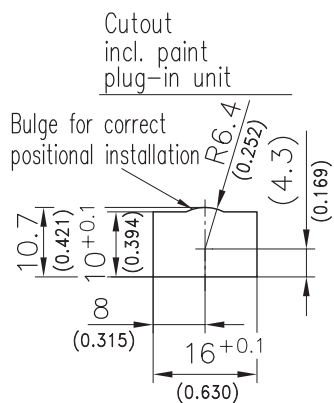
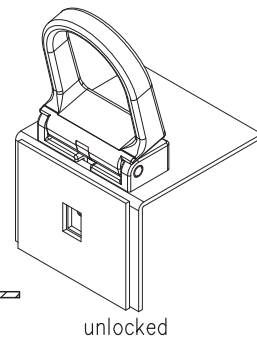
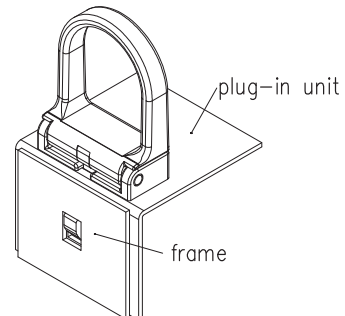
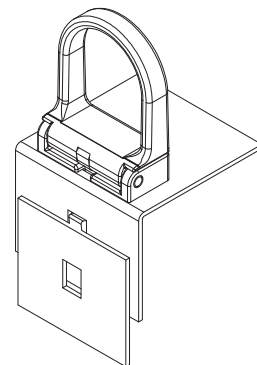
- **Housing and handle:** zinc die, matt chrome plated
- **Spring for insert:** spring steel
- **Snap wedges:** sintered steel, zinc plated
- **Hook:** sintered steel, zinc plated



Bulge for correct positional installation



Operation



	clamping range [Ⓢ]	Part No.
Pull latch Handle	0.8 - 1.0	480-9002.00-00810
	1.1 - 1.3	480-9002.00-01113
	1.4 - 1.6	480-9002.00-01416
Other [Ⓢ] - dimension on request!		