

# 1-100SL Quarter-Turn PrA L18 SNAP-LINE

for cutout A, length 18, upgradeable to B and C, for inserts, tool-less installation

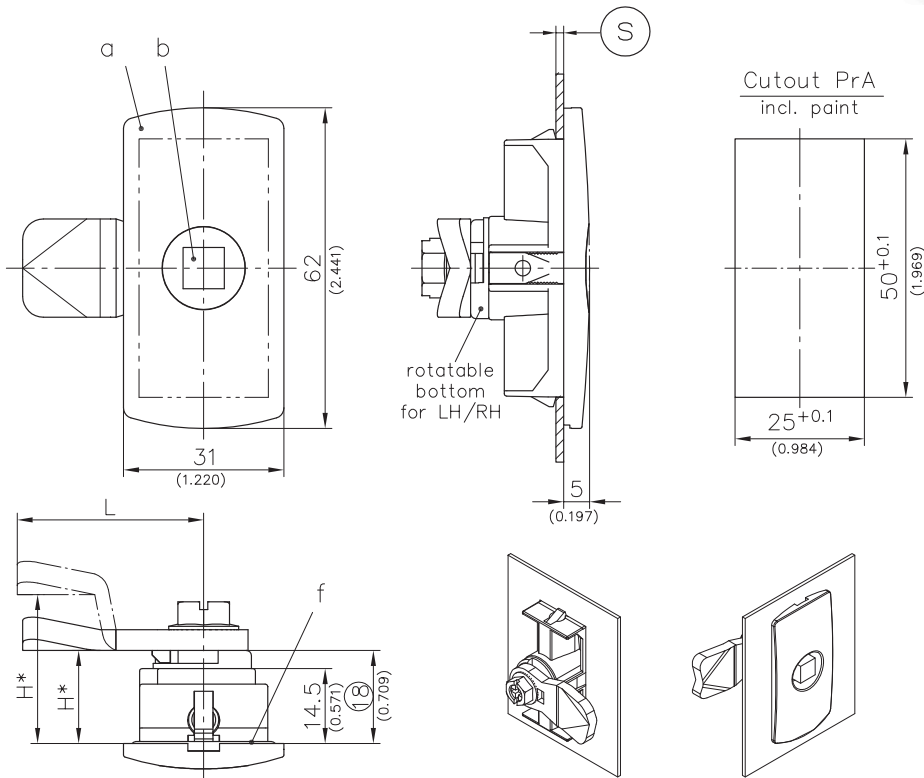


SNAP-LINE Quarter-Turn for Snap-in installation into cutout Type A see product system 3-010.

- Adding additional snap-in extensions g) and h), this Quarter-Turn can also be applied for cutouts type B and C.
- The Quarter-Turn can be snapped-in as a completely pre-assembled unit.
- Also a 3-point cam can be pre-assembled.
- Water- and dust-tight according to IP65 DIN EN 60529.
- Grounding: refer to a)
- Pre-assembling by DIRAK: refer to text on right page.
- **Attention: H-dimension of the cam  $\geq 16\text{mm}$  (5/8")**

### Material:

- **Housing:** PA, black
- **Bottom:** zinc die, zinc plated
- **Snap wedges:** sintered steel, zinc plated
- **Grounding clip:** stainless steel
- **Insert:** see b)
- **Cams:** see c) and c1)
- **O-Rings:** NBR, black

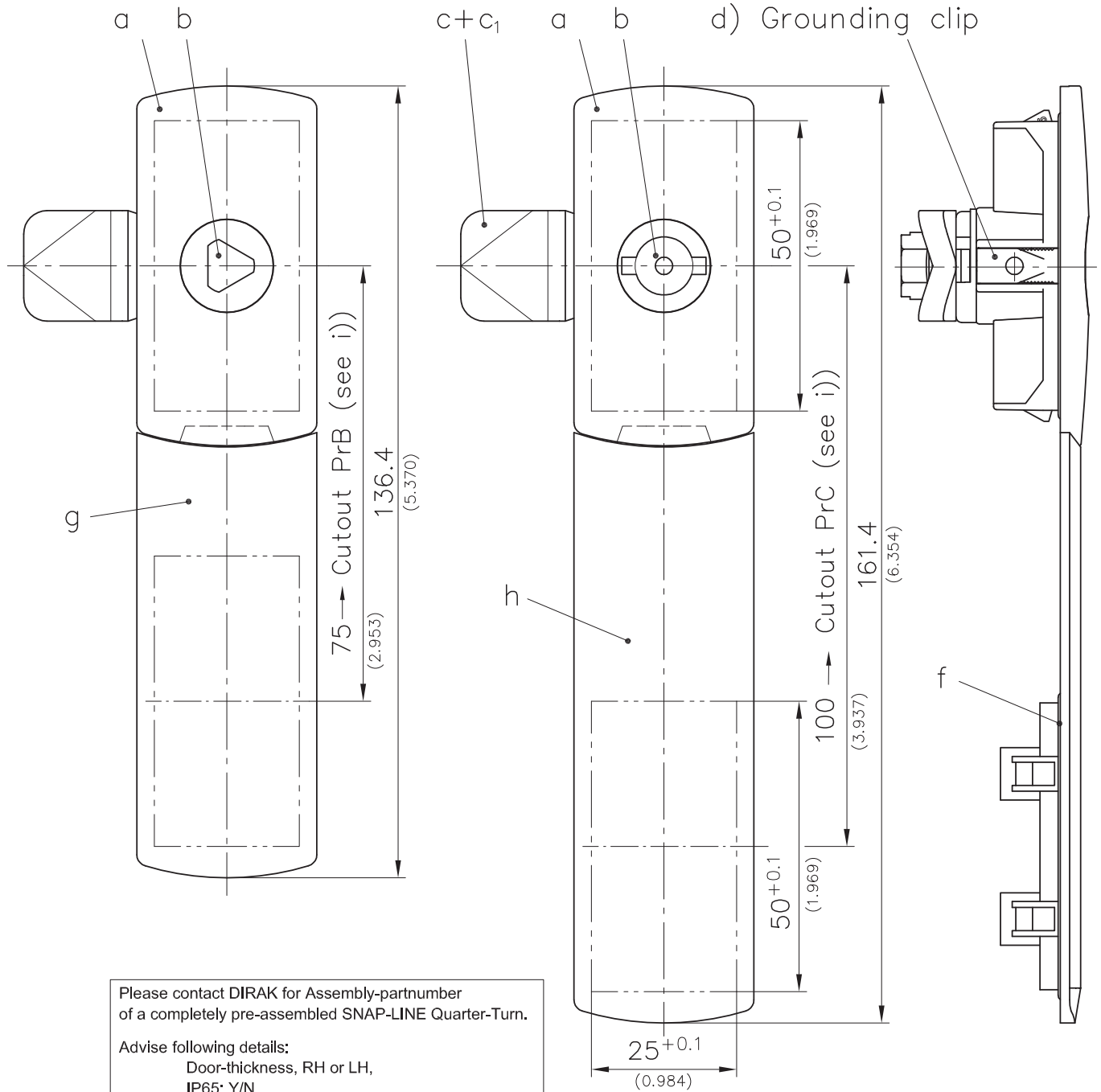


\* Attention:  $\geq H16$  (5/8")

a) Housing with snap wedges, O-ring and rotatable bottom			
clamping range $\text{\textcircled{S}}$	with Grounding clip	without Grounding clip	see page
0.8 - 1.5	408-9301.00-00015	408-9302.00-00015	
1.3 - 2.0	408-9301.00-00020	408-9302.00-00020	
1.8 - 2.5	408-9301.00-00025	408-9302.00-00025	
2.3 - 3.0	408-9301.00-00030	408-9302.00-00030	
2.8 - 3.5	408-9301.00-00035	408-9302.00-00035	
b) Inserts			02.45, 02.48, 02.49, 10.16
c) Cams			02.45, 02.78, 02.82, 10.16, 10.20
c1) 3-point cams			02.78, 03.46
d) Grounding clip (included in 408-9301)		200-1104.93	
Optional:			
Water- and dust-tight according to IP65 by:			
e) O-ring for insert	200-1001.00-00000	200-1001.00-00000	
f) O-ring for housing	208-1804.00-00000	208-1804.00-00000	
i) Cutout			04.05

# 1-100SL Quarter-Turn PrA L18 SNAP-LINE

for cutout A, length 18, upgradeable to B and C, for inserts,  
tool-less installation



Please contact DIRAK for Assembly-partnumber of a completely pre-assembled SNAP-LINE Quarter-Turn.  
Advise following details:  
Door-thickness, RH or LH,  
IP65: Y/N,  
Grounding: Y/N,  
Insert, cam.  
Please note, that we also can pre-assemble a 3-point can.

	for Cutout	Part No.	see page
g) Escutcheon short	Type B (75)	208-0523.03	
h) Escutcheon	Type C (100)	208-0522.03	
f) O-ring for housing		208-1804.00	
i) Cutout			04.05
Cover for cutout			04.09